

SONY

Hi-Fi Products
Service Bulletin

Sony Service Company - Technical Services
A Division of Sony Corporation of America
Sony Drive, Park Ridge, New Jersey 07656

Model: TC-W320/W320S/WR520/WR520S/W370/
W411/WR511/WR570

No. 246

Subject: Mechanical Clanking Noise or Unit Exhibits Poor FF
and REW Take-up Torque

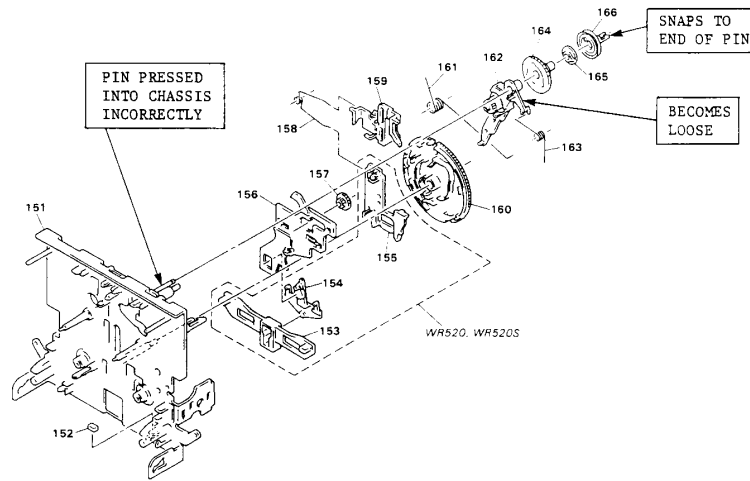
Date: January 27, 1992

Symptom
(66):

The metal pin which is pressed into chassis Ref. 151 is positioned incorrectly causing Ref. 166 (FR Pulley) to pop off and cause a clanking noise. This in turn causes Ref. 162 (Lever) to become loose therefore resulting in poor FF and REW take-up torque.

Solution:

Reposition the pin in chassis Ref. 151 so that Reference Numbers 162, 164, 165, and 166 fit snug together with little play and Reference Number 166 snaps on to the pin without risk of popping off. The pin may be repositioned with a small screwdriver.



CSA-13 Tape Deck